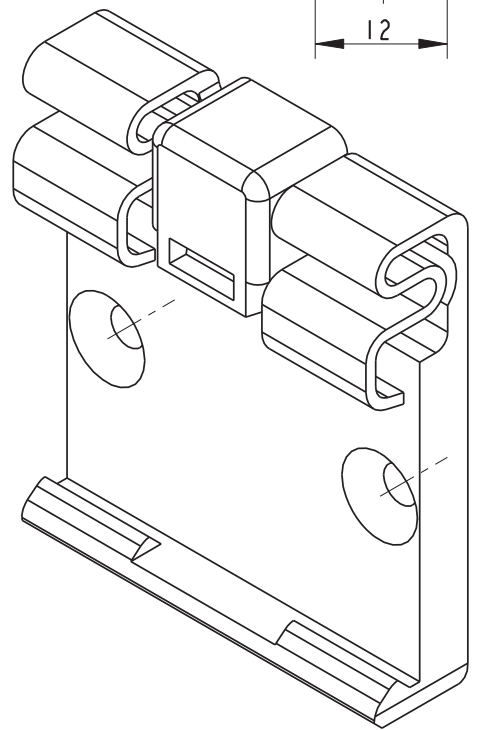
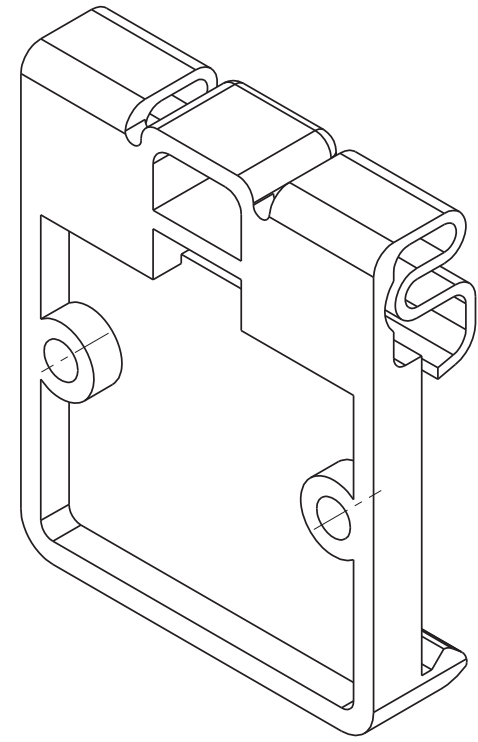
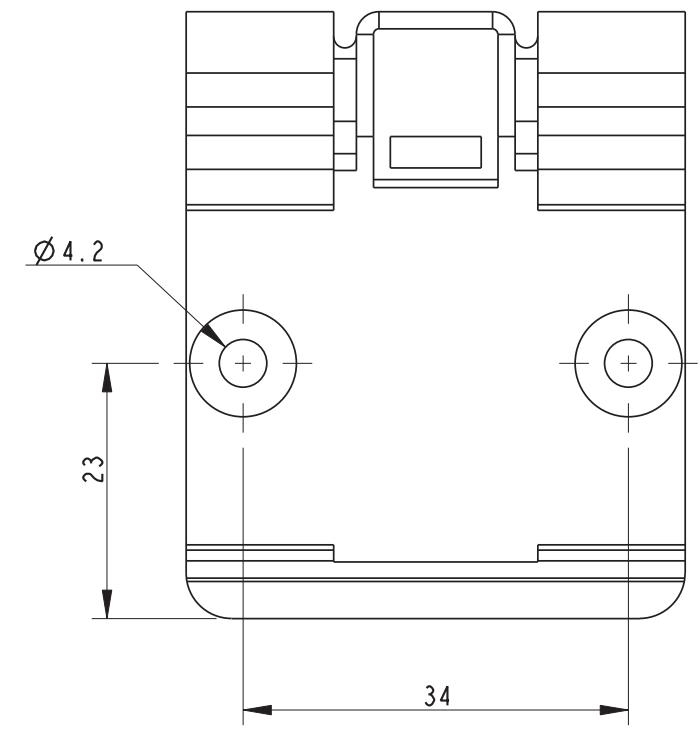
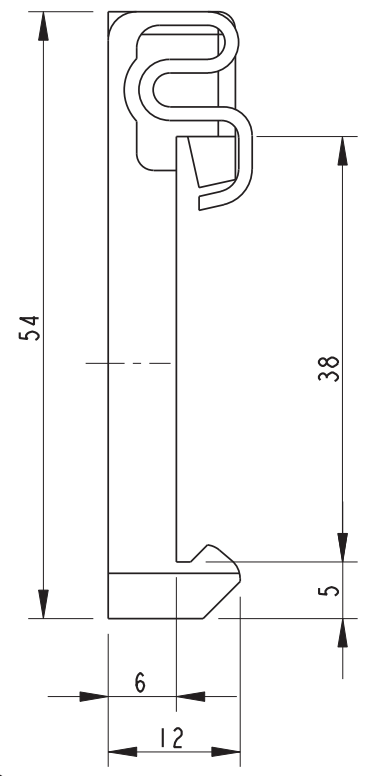
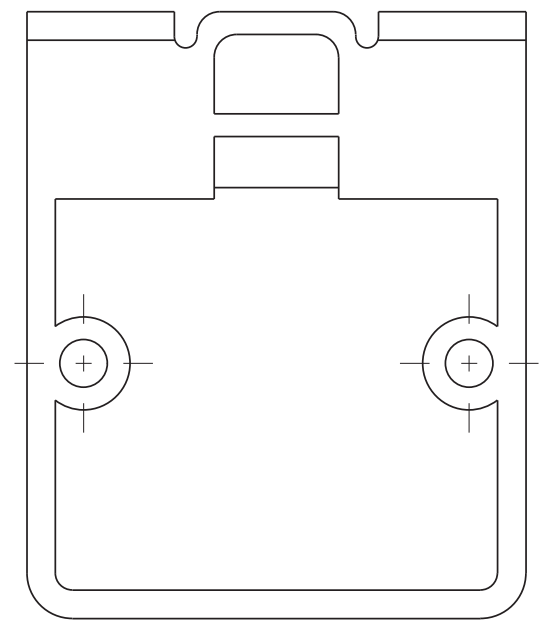


All rights reserved. Passing on and copying of this document, use and communication of its contents not permitted without written authorization.



A	20101203	CY	BE
REVISION	DATE	APPROVAL AUTHORITY	ORIGINATOR

MATERIAL	POLYCARBONATE	FINISH	SMOOTH	TOLERANCE	ISO 2768-M	
<b>TITAN Electronics Inc.</b>		DESCRIPTION	<b>DIN RAIL CLIP INJECTION MOLDING</b>		SHEET 1 / 1	
PART NUMBER	<b>DR-101</b>	REVISION				

Pro/ENGINEER